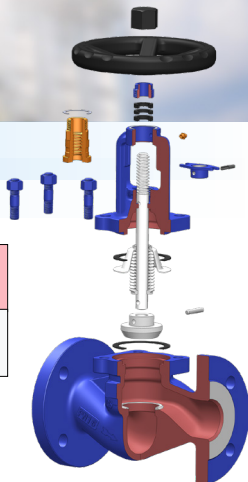


# BELLOWS SEALED GLOBE VALVE



SBV16 - SBV25



Model	Body material	Nominal pressure	Nominal diameter	Max temperature
SBV16 SBV25 SBV40	GS-C25 (1.0619)	16 bar 25 bar 40 bar	DN 15-400	350°C

## APPLICATION

Steam system  
Thermal oil system  
Hot and cold water

## FEATURES

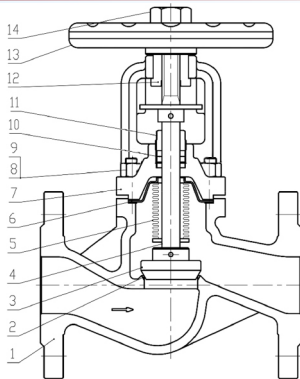
High tightness (leakproofness class - A acc. EN -12266 - 1)  
Compact settlement  
Environment-friendly  
Test acc. EN-1 2266-1  
Flanges drilled according to EN-1092-1 & 2  
Face-to-face dimension according to EN 588-1



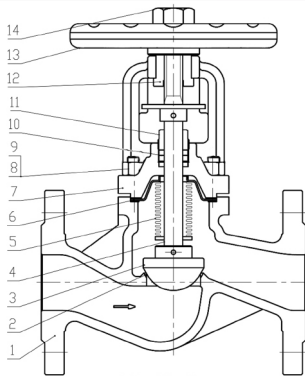
**SON** Industrial

SON INDUSTRIAL COMPANY LIMITED  
22A, TA13 Str, Thoi An Ward, Dist 12, HCMC  
admin@sonindustrial.com





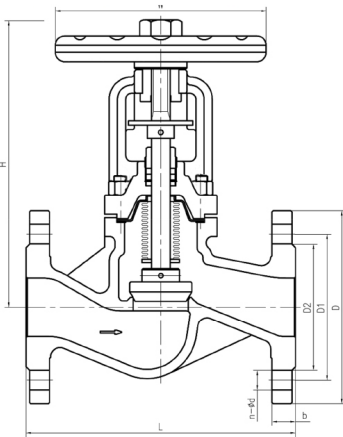
Conical disc



Throttle disc

No	Part Name	Part Material			
1	Body	JS1049/ 0.7043	GS-C25/ 1.0619	CF8/ 1.4308	CF8M/ 1.4408
2	Seat	X20Cr13/ 1.4021	X20Cr13/ 1.4021	CF8/ 1.4308	CF8M/ 1.4408
3	Disc	X20Cr13/ 1.4021	X20Cr13/ 1.4021	F304/ 1.4301+STL	F316/ 1.4401+STL
4	Stem	X20Cr13/ 1.4021	X20Cr13/ 1.4021	F304/ 1.4301	F316/ 1.4401
5	Bellows	SS304	SS304	SS304	SS316L
6	Gasket	Graphite+SS304	Graphite+SS304	Graphite+SS304	Graphite+SS316
7	Bonnet	JS1049/ 0.7043	GS-C25/ 1.061 9	CF8/ 1.4308	CF8M/ 1.4408
8	Bolt	A193-B7	A193-B7	A193-B8	A193-B8
9	Nut	A194-2H	A194-2H	A194-8	A194-8M
10	Packing	Graphite	Graphite	Graphite	Graphite
11	Gland	GS-C25/ 1.061 9	GS-C25/ 1.061 9	CF8/ 1.4308	CF8M/ 1.4408
12	Stem nut	1045/ 1C45	1045/ 1C45	Brass	Brass
13	Handwheel	C.S	C.S	C.S	C.S
14	Cap	A105	A105	A105	A105
Max.temperature		350°C	425°C	600°C	600°C





- Conical disc
- Flat disc
- Soft disc
- Stop-check disc
- Balance type disc
- Window shape disc
- Impact wheel operator
- I Gear operator
- I Pneumatic actuator
- I Electric actuator
- I Position indicator
- I Limit switches
- I BW ends
- I JIS connections
- I ANSI connections

DN	PN16,25,40				PN16						PN25						PN40					
	L mm	W mm	H mm	Kv m <sup>3</sup> /h	D mm	D1 mm	D2 mm	b mm	n-ød mm	N/W Kg	D mm	D1 mm	D2 mm	b mm	n-ød mm	N/W Kg	D mm	D1 mm	D2 mm	b mm	n-ød mm	N/W Kg
15	130	140	192	4.7	95	65	45	16	4-ø14	4.2	95	65	45	16	4-ø14	4.2	95	65	45	16	4-ø14	4.3
20	150	140	192	6.8	105	75	58	18	4-ø14	4.8	105	75	58	18	4-ø14	4.8	105	75	58	18	4-ø14	4.9
25	160	160	207	11.4	115	85	68	18	4-ø14	6.2	115	85	68	18	4-ø14	6.2	115	85	68	18	4-ø14	6.3
32	180	160	207	16.3	140	100	78	18	4-ø18	7.8	140	100	78	18	4-ø18	7.8	140	100	78	18	4-ø18	8
40	200	180	245	29	150	110	88	18	4-ø18	10	150	110	88	18	4-ø18	10	150	110	88	18	4-ø18	10.2
50	230	200	253	43.5	165	125	102	20	4-ø18	13	165	125	102	20	4-ø18	13	165	125	102	20	4-ø18	13.2
65	290	220	295	74	185	145	122	20	4-ø18	21	185	145	122	22	8-ø18	21	185	145	122	22	8-ø18	23.5
80	310	250	328	109	200	160	138	20	8-ø18	26.5	200	160	138	24	8-ø18	26.5	200	160	138	24	8-ø18	28
100	350	300	385	172	220	180	158	20	8-ø18	43	235	190	162	24	8-ø22	43.8	235	190	162	24	8-ø22	45
125	400	350	427	277	250	210	188	22	8-ø18	60	270	220	188	26	8-ø26	68	270	220	188	26	8-ø26	70
150	480	400	480	408	285	240	212	24	8-ø22	87	300	250	218	28	8-ø26	94	300	250	218	28	8-ø26	96
200	600	450	672	708	340	295	268	24	12-ø22	173	360	310	278	30	12-ø26	178	375	320	285	34	12-ø30	181
250	730	550	775	1132	405	355	320	26	12-ø26	277	425	370	335	32	12-ø30	283	450	385	345	38	12-ø33	288
300	850	600	852	1528	460	410	378	28	12-ø26	400	485	430	395	34	16-ø30	411	515	450	410	42	16-ø33	420
350	980	700	1005	2146	520	470	438	30	16-ø22	440	555	490	450	38	16-ø33	465	580	510	465	46	16-ø36	490
400	1100	700	1140	2790	580	525	490	32	16-ø30	730	620	550	505	40	16-ø36	760	660	585	535	50	16-ø39	790



